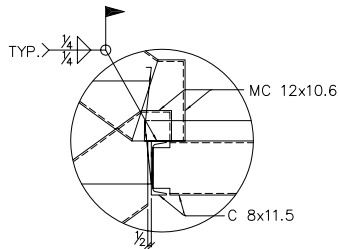
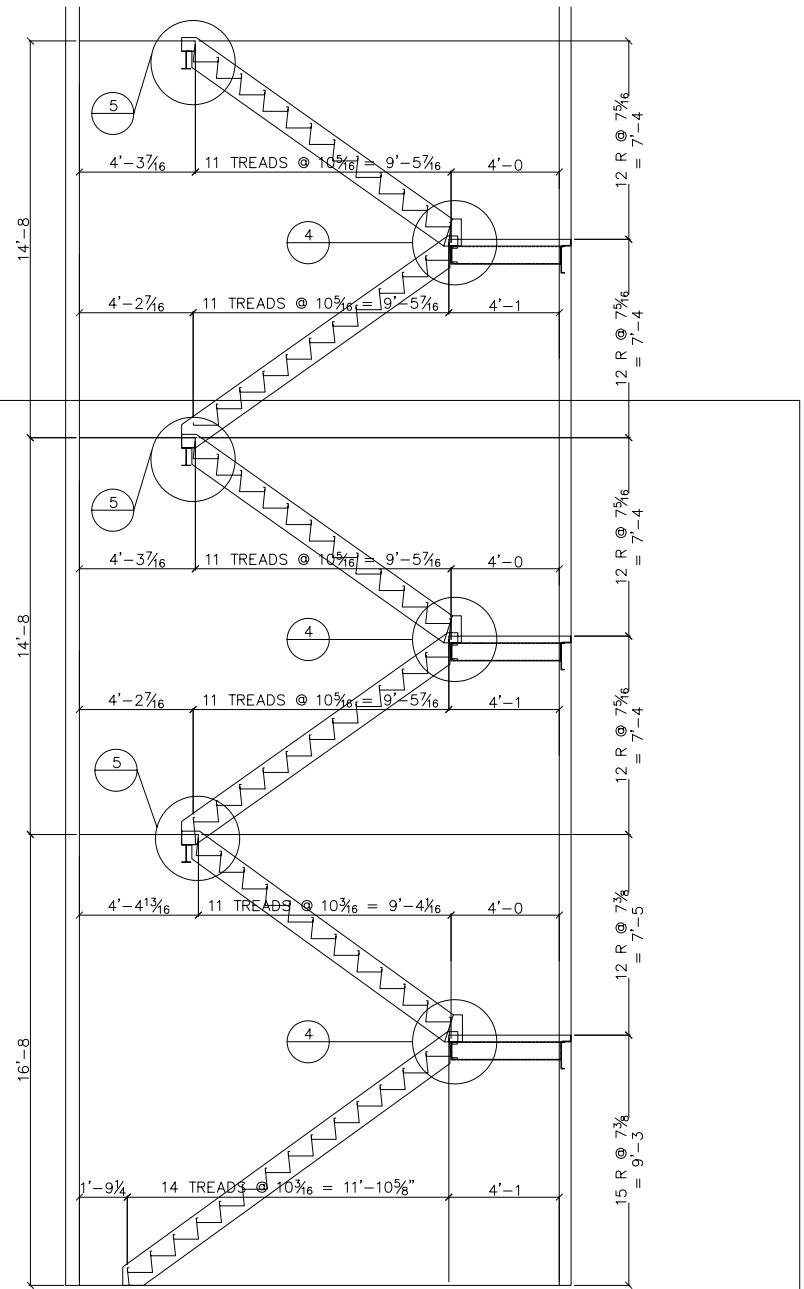
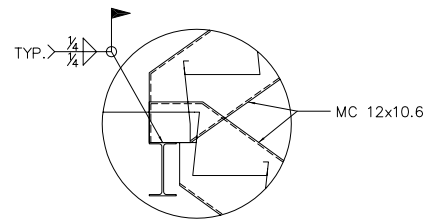


**DETAIL - 2,3 AS SHN.
DETAIL - 1,6 OPP. HAND**



DETAIL - 4



DETAIL - 5

STAIR - 1

REV	DATE	DESCRIPTION
SHOP NOTE: COPE RE-ENTRANT CORNERS TO MIN. 1/2" R.		
SHOP CONN. U.N.O.	JOB: CAPITAL COMMERCE CENTER LOCATION: EAST 3RD & COMMERCE LITTLE ROCK, ARKANSAS	
SHOP	ARCH./ENG.: AMR ARCHITECTS INC.	
PAINT:	CONTRACTOR: EAST HARDING	
SHOP CLEAN:	JOB NO. 01-158	
OPEN HLS: AS NOTED	DRAWN / DATE TRQ / 08/23	CK'D / DATE AYU / 08/23
		DWG NO. 1M1