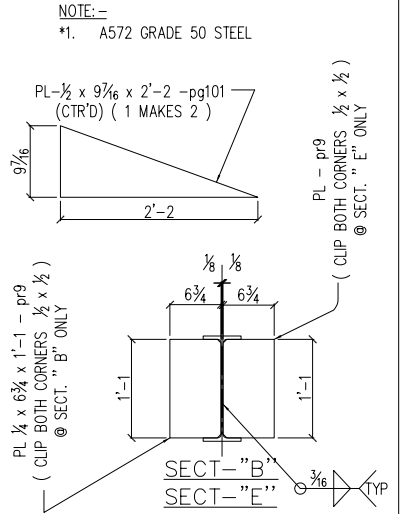


SHOP BILL

QTY.	SECTION DESCRIPTION	LENGTH		MARK	REMARKS
		FEET	INCHES		
2	BEAM			104B1	
2	W 14 x 26	17	10 7/8		
2	W 12 x 14	10	11 7/16		
4	PL 1/2 x 9 7/16	2	2	pg101	*1
2	PL 1/4 x 4	1	1	pj3	
4	PL 1/4 x 2 3/8	1	1	pj5	
4	PL 1/4 x 4	0	11 3/8	pk4	
10	PL 1/4 x 6 3/4	1	1	pr9	
2	BEAM			104B2	
2	W 14 x 26	17	10 7/8		
2	W 12 x 14	10	11 7/16		
4	PL 1/2 x 9 7/16	2	2	pg101	*1
2	PL 1/4 x 4	1	1	pj3	
4	PL 1/4 x 2 3/8	1	1	pj5	
4	PL 1/4 x 4	0	11 3/8	pk4	
10	PL 1/4 x 6 3/4	1	1	pr9	



REV	DATE	DESCRIPTION

SHOP NOTE: COPE RE-ENTRANT CORNERS TO MIN. 1/2" R.

SHOP CORR. U.N.O. 5/16"

SHOP PAINT: _____

SHOP CLEAN: _____

OPEN HLS: AS NOTED

DRAWN / DATE: NHS / 09/16

CK'D / DATE: AYU / 09/16

DWG NO: 104

JOB: CAPITAL COMMERCE CENTER
 LOCATION: EAST 3rd & COMMERCE LITTLE ROCK, ARKANSAS
 DWG TITLE: _____
 ARCH./ENG: AMR ARCHITECTS INC.
 CONTRACTOR: EAST HARDING
 JOB NO. 01-158