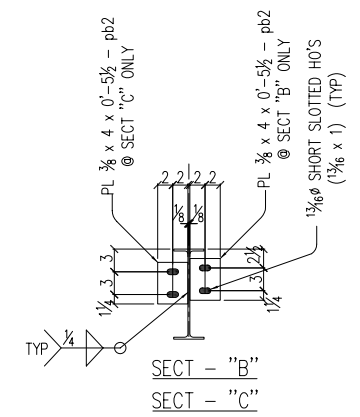
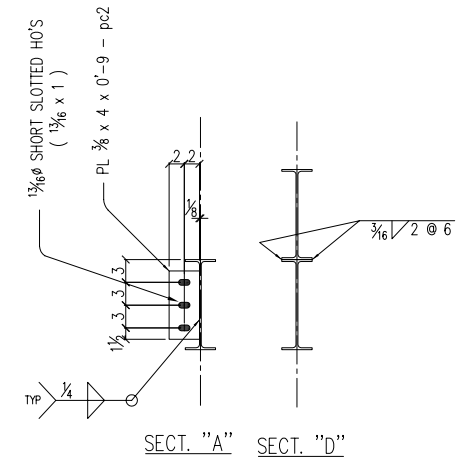
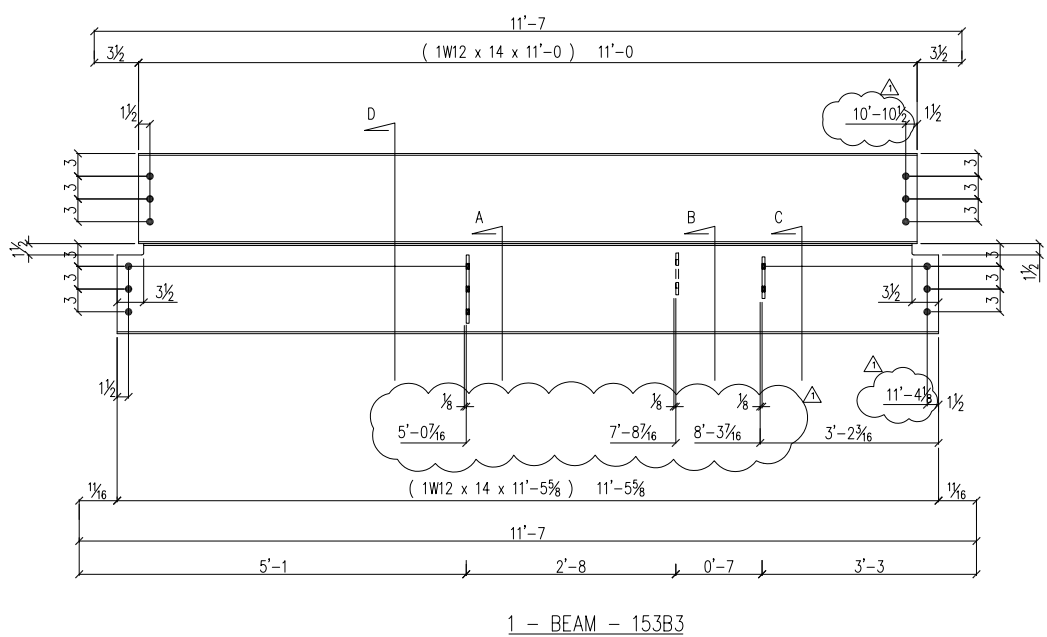
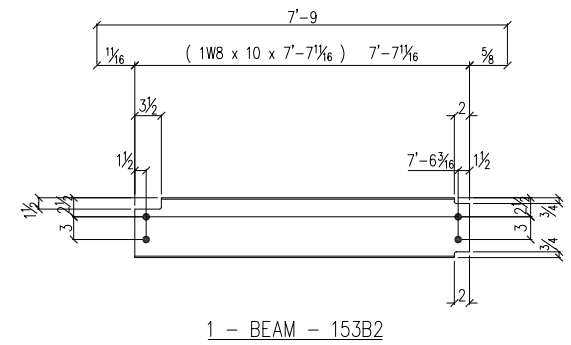
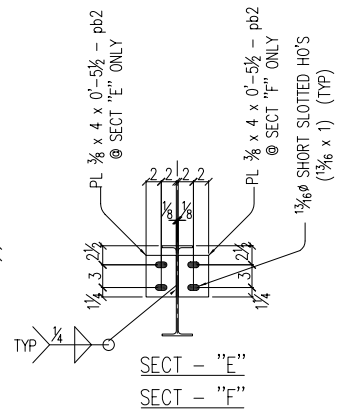
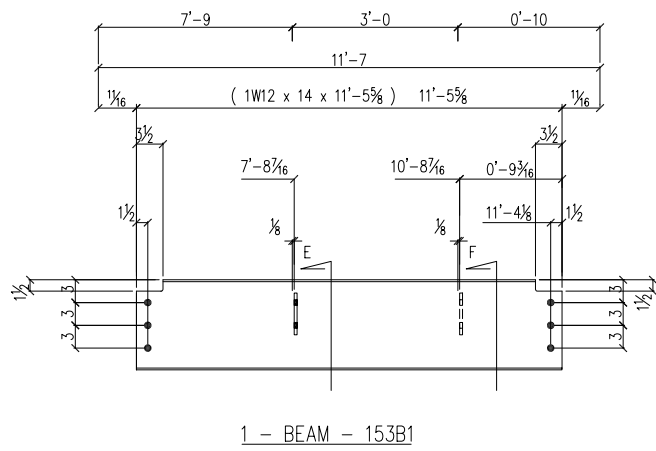


SHOP BILL

QTY.	SECTION DESCRIPTION	LENGTH		MARK	REMARKS
		FEET	INCHES		
ONE	BEAM			153B1	
1	W 12 x 14	11	5 5/8		
2	PL 3/8 x 4	0	5 1/2	pb2	
ONE	BEAM			153B2	
1	W 8 x 10	7	7 1/16		
ONE	BEAM			153B3	
1	W 12 x 14	11	5 5/8		
1	W 12 x 14	11	0		
2	PL 3/8 x 4	0	5 1/2	pb2	
1	PL 3/8 x 4	0	9	pc2	



REV	DATE	DESCRIPTION
	09/25/2001	

SHOP NOTE: COPE RE-ENTRANT CORNERS TO MIN. 1/2" R.

SHOP CORR. U.N.O.

SHOP PAINT: _____

SHOP CLEAN: _____

OPEN HLS: 1 3/16" UN

DRAWN / DATE: NHS / 09/23

CK'D / DATE: AYU / 09/23

DWG NO: 153