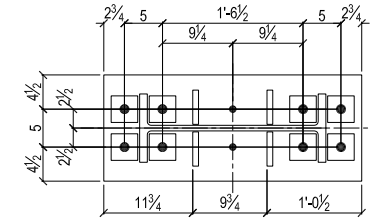
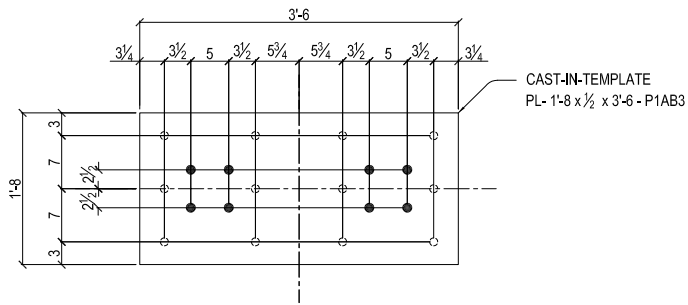
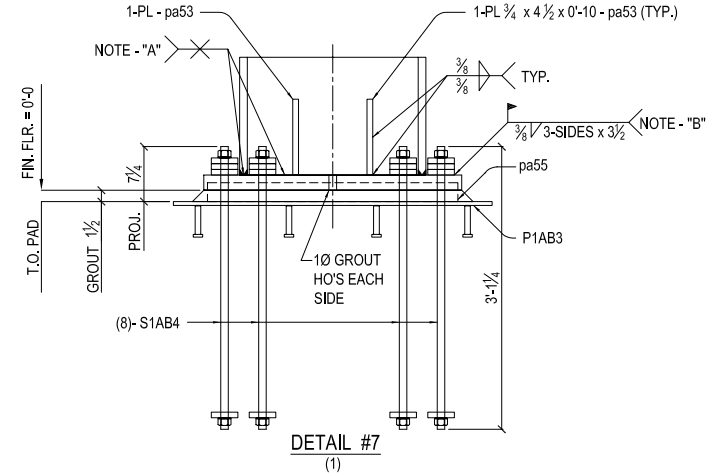
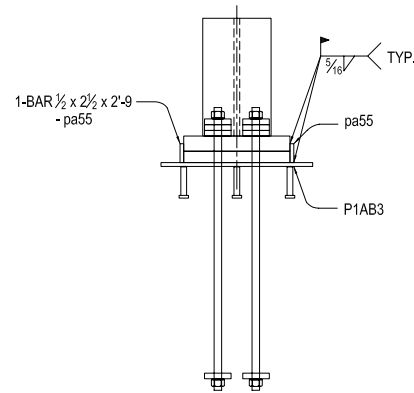
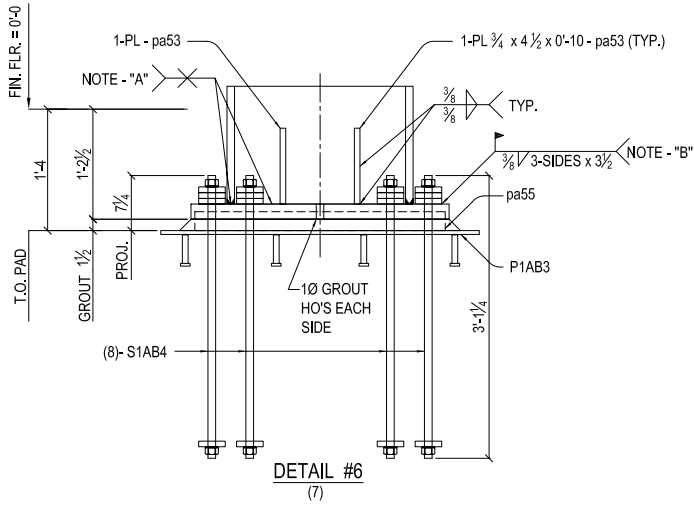


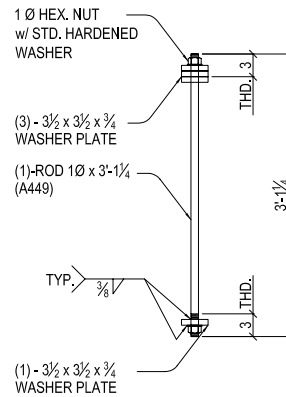
W24 x 103
 W/ PL 1'-2 x 2 x 2'-10 (A572 GR. 50 STEEL)
 W/ 1 1/8" Ø HO'S
 W/ 4 - STIFFENER PLATE 3/4 x 4 1/2 x 0'-10" - pa53



W24 x 103
 W/ PL 1'-2 x 2 x 2'-10 (A572 GR. 50 STEEL)
 W/ 1 1/8" Ø HO'S
 W/ 4 - STIFFENER PLATE 3/4 x 4 1/2 x 0'-10" - pa53



TEMPLATE PL - 1'-8 x 1/2 x 3'-6 - P1AB3 (A572 GR. 50 STEEL)
 W/ 1 1/8" Ø STD. HO'S FOR (8) -1Ø ANCHOR BOLTS
 W/ (12) 3/4" Ø x 4 HEADED STUDS FUSION WELDED



64 - ANCHOR BOLT - S1AB4

NOTE - "A"
 F.P. WELD COL. FLANGE & WEB TO
 BASE PLATE GRIND FLUSH AFTER WELDING
 NOTE - "B"
 WELD BOTTOM WASHER PLATE
 TO BASE PLATE (TYP.)

PROJECT:	CAPITAL COMMERCE CENTER EAST 3rd & COMMERCE LITTLE ROCK, ARKANSAS
CONTRACTOR:	
SCALE:	1/2" = 1'-0"
JOB #	
DATE:	
DRAWN BY:	
SHT. AB4	