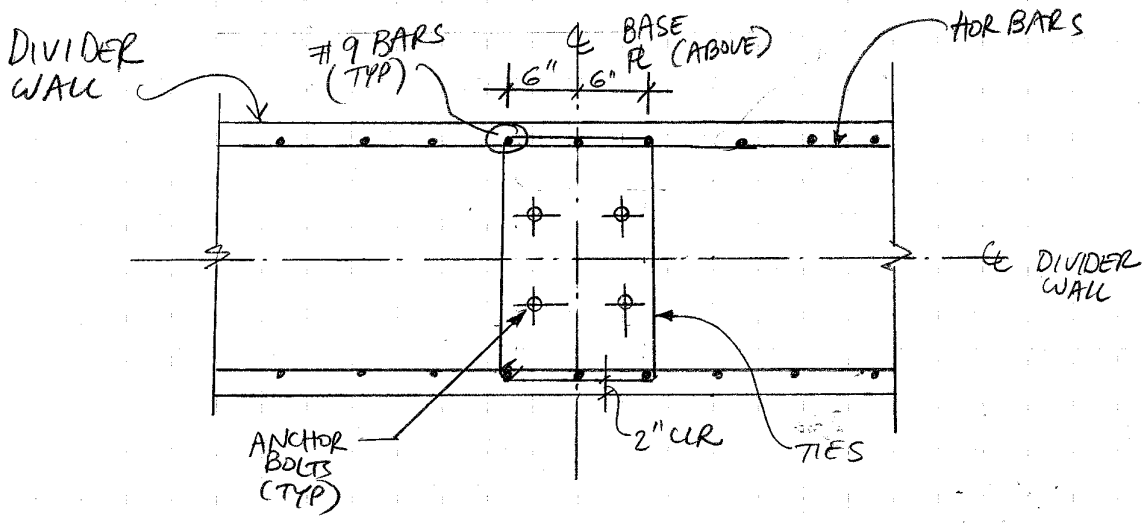


PLAN
SECTION A
S13



SECTION B
S13