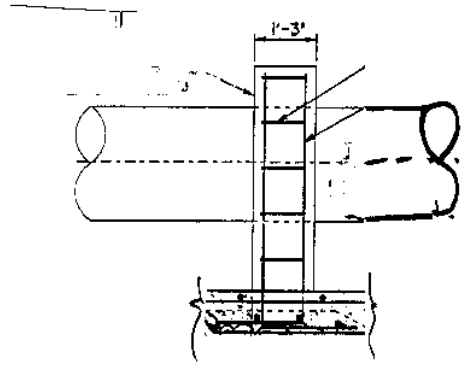


CONCRETE ENCASED PIPE SUPPORT

DETAIL $\frac{S}{59}$



SECTION $\frac{D}{59}$