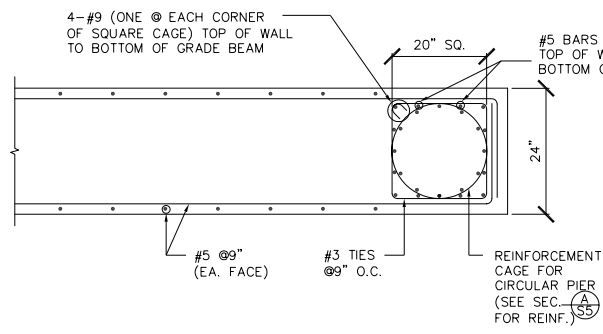
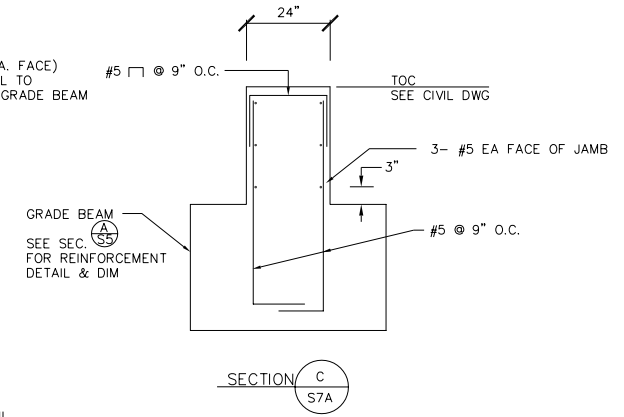


- NOTES:**
1. FOR INFO NOT SHOWN SEE SEC. (A) S5
 2. SEE CIVIL DWG FOR ACCESS RAMP AND SIDE SLOPE GRADES
 3. FOR ROOF COLUMN BASE CONN. DETAILS AT TOP OF PARAPET & DIVIDER WALL, SEE ROOF VENDOR DRAWINGS.
 4. DETAILS (S7A), (S7B) & (S7C) SUPERCEEDS DETAILS (A) S7, (B) S7 & (C) S7

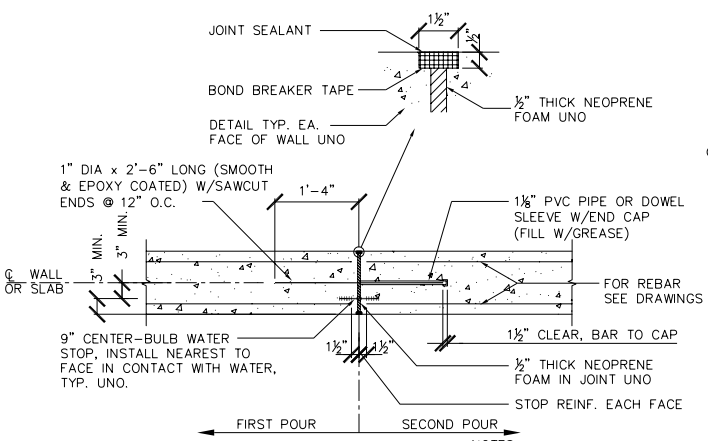


SECTION B S7A

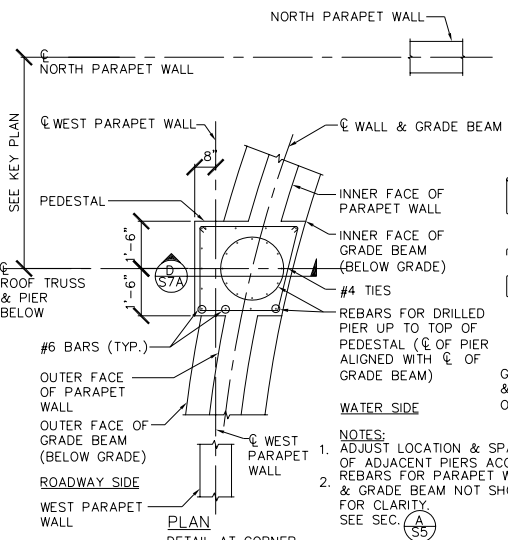
- NOTE:**
1. FOR FLOOD GATE ATTACHMENT DETAIL, SEE SEC. (B) S7
 2. WALL THICKNESS SHALL BE 24" FOR THE WALL SEGMENTS SHOWN IN (S7)



SECTION C S7A

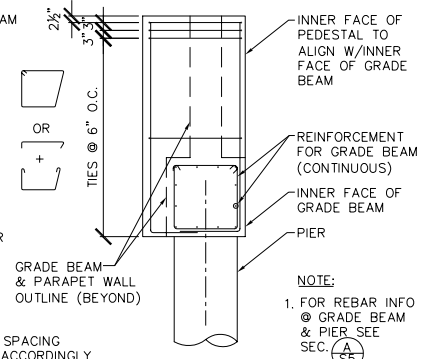


- NOTES:**
1. EXPANSION JOINTS SHALL BE PLACED AT 120'-FT O.C. (MAX.).



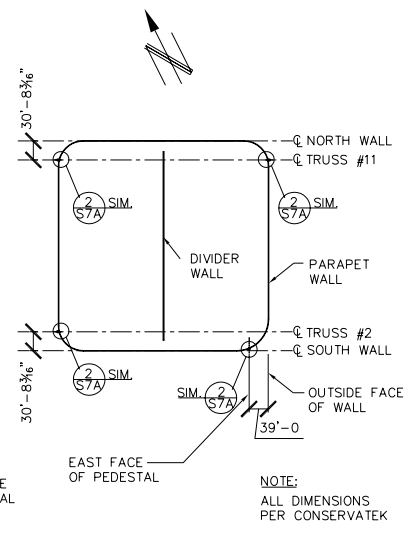
PLAN DETAIL AT CORNER TRUSS SUPPORT S7A

- NOTES:**
1. ADJUST LOCATION & SPACING OF ADJACENT PIERS ACCORDINGLY REBARS FOR PARAPET WALL & GRADE BEAM NOT SHOWN FOR CLARITY. SEE SEC. (A) S5



SECTION D S7A

- NOTE:**
1. FOR REBAR INFO @ GRADE BEAM & PIER SEE SEC. (A) S5
 2. VERTICAL PIER REBAR TO CONTINUE TO TOP OF PEDESTAL (NOT SHOWN HERE FOR CLARITY). SIM. TO SEC. (A) S7A



KEY PLAN FOR CORNER DETAILS S7A

- NOTE:**
1. ALL DIMENSIONS PER CONSERVATEK

0 1 2 3

MDW SI
RZ

RZ

MISCELLANEOUS DETAILS

S7A