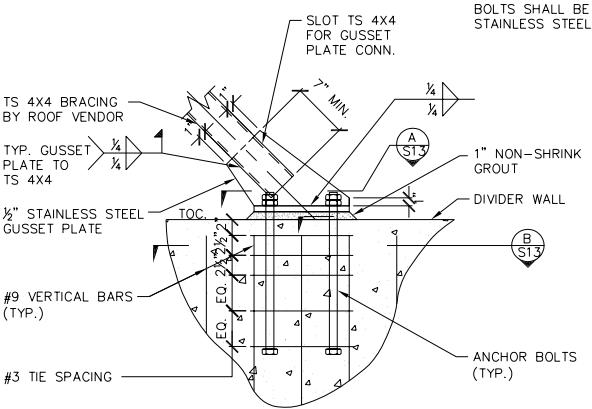
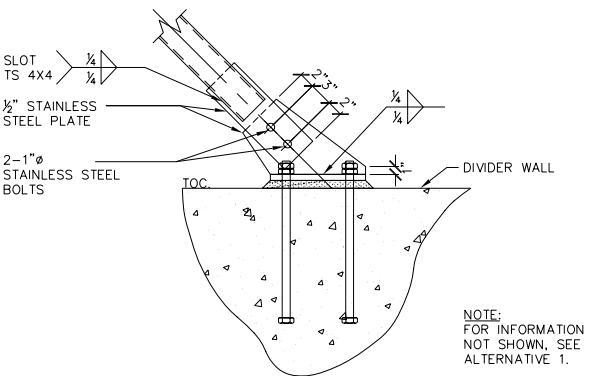


NOTE:
ALL PLATES & ANCHOR BOLTS SHALL BE AISI 316 STAINLESS STEEL



ALTERNATIVE 1
FIELD WELDING OPTION

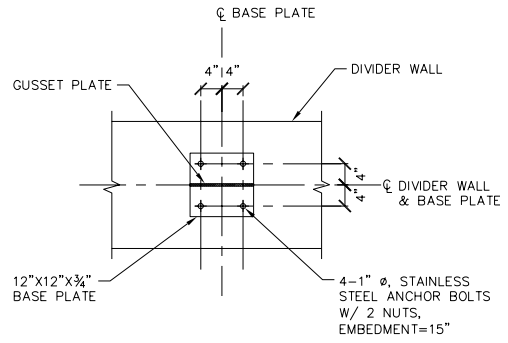


ALTERNATIVE 2
FIELD BOLTING OPTION

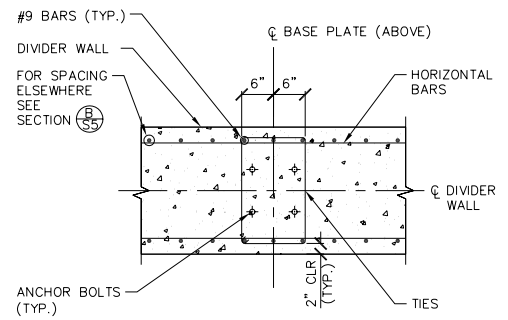
NOTE:
FOR INFORMATION NOT SHOWN, SEE ALTERNATIVE 1.

ROOF BRACING CONNECTION
TO DIVIDER WALL

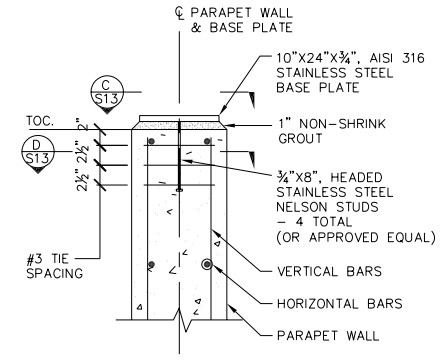
DETAIL 1
Scale: 1 1/2"=1'-0" S13



PLAN
SECTION A
Scale: 1 1/2"=1'-0" S13

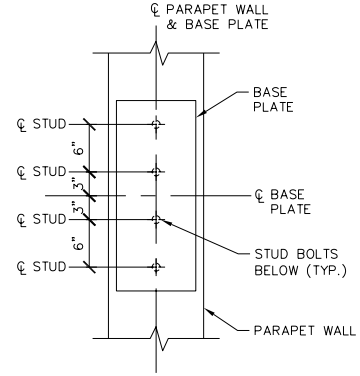


SECTION B
Scale: 1 1/2"=1'-0" S13

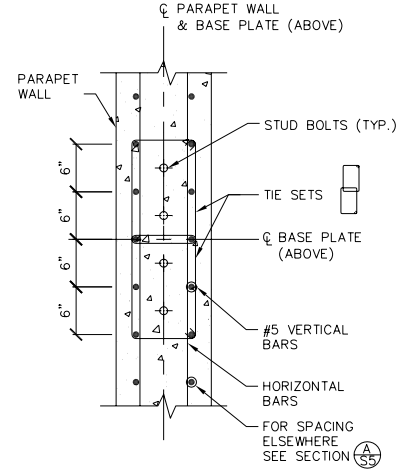


ROOF TRUSS SUPPORT CONN.
@ PARAPET WALL

DETAIL 2
Scale: 1 1/2"=1'-0" S13



SECTION C
Scale: 1 1/2"=1'-0" S13



SECTION D
Scale: 1 1/2"=1'-0" S13

NOTES:
1. ALL PLATES & ANCHOR BOLTS SHALL BE AISI 316 STAINLESS STEEL
2. SEE DETAIL F OF CONSERVATEK DRAWING FOR OTHER INFO

0 1 2 3

MDW
RZ

SI