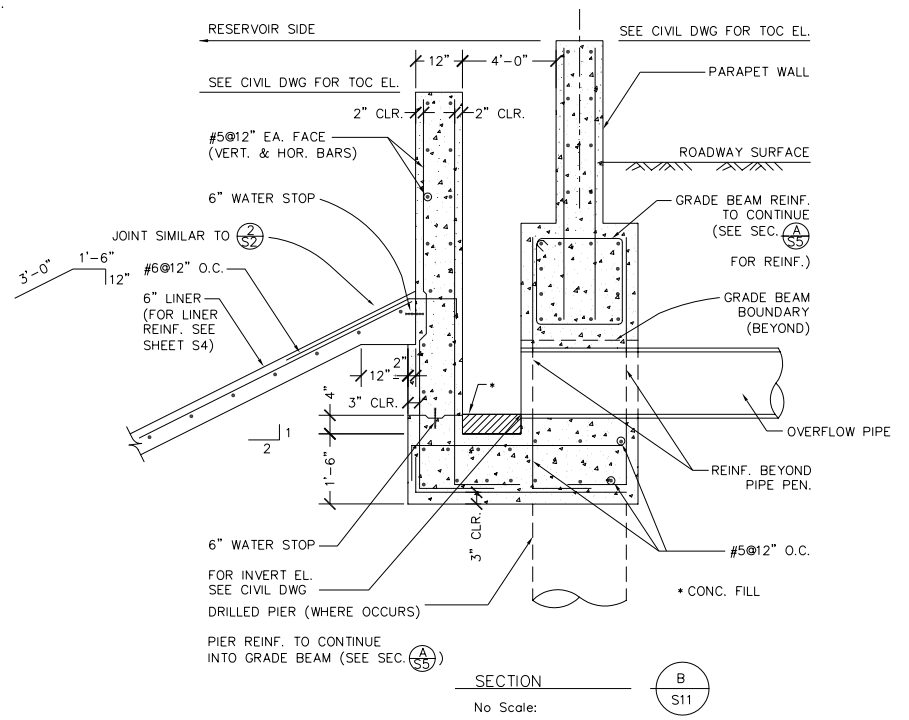


NOTES:  
FOR PIER & GRADE BEAM REINF. SEE SEC. (S5)



0 1 2 3

MDW  
RZ

SI

OVERFLOW STRUCTURE

RZ

S11